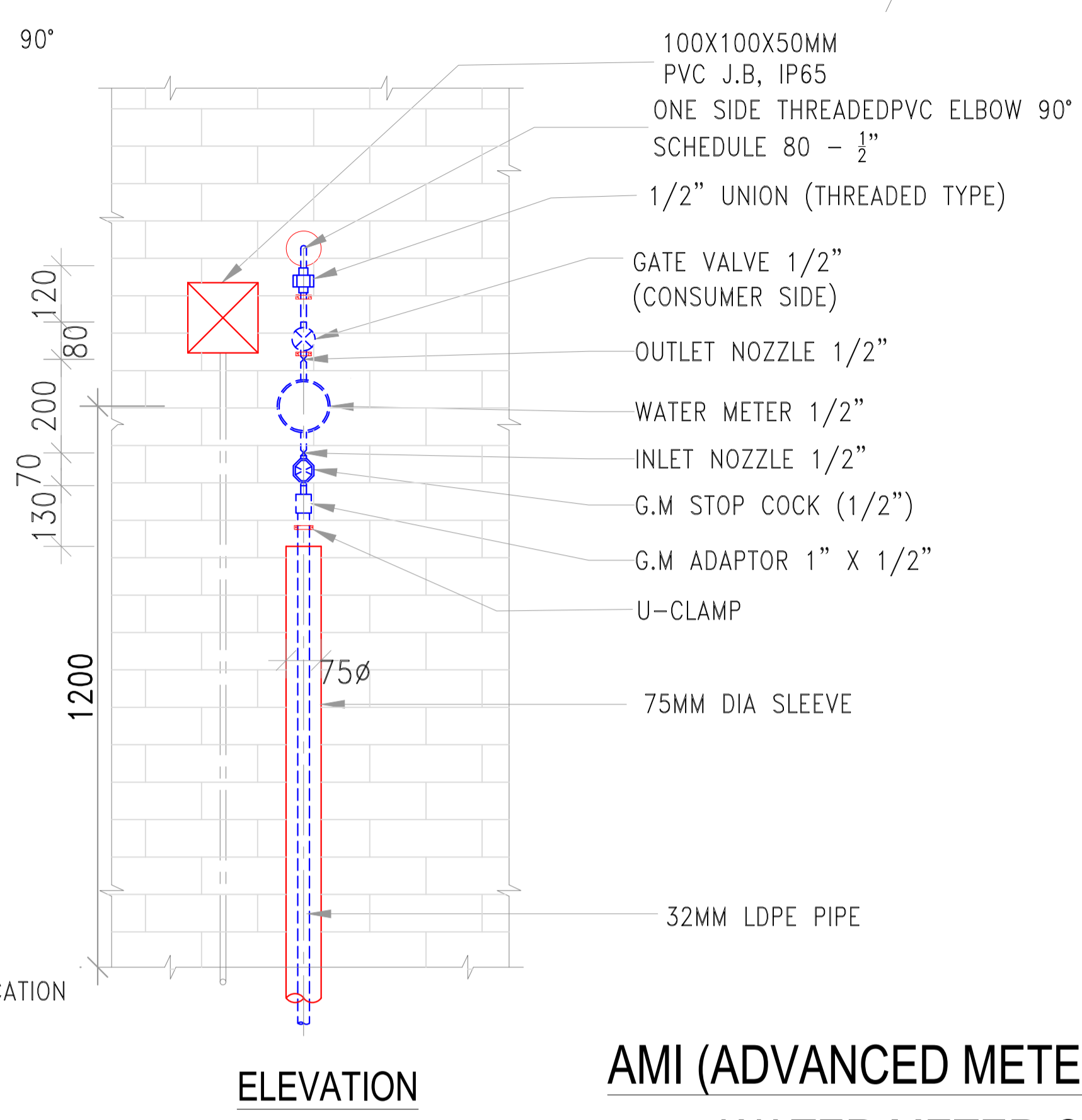
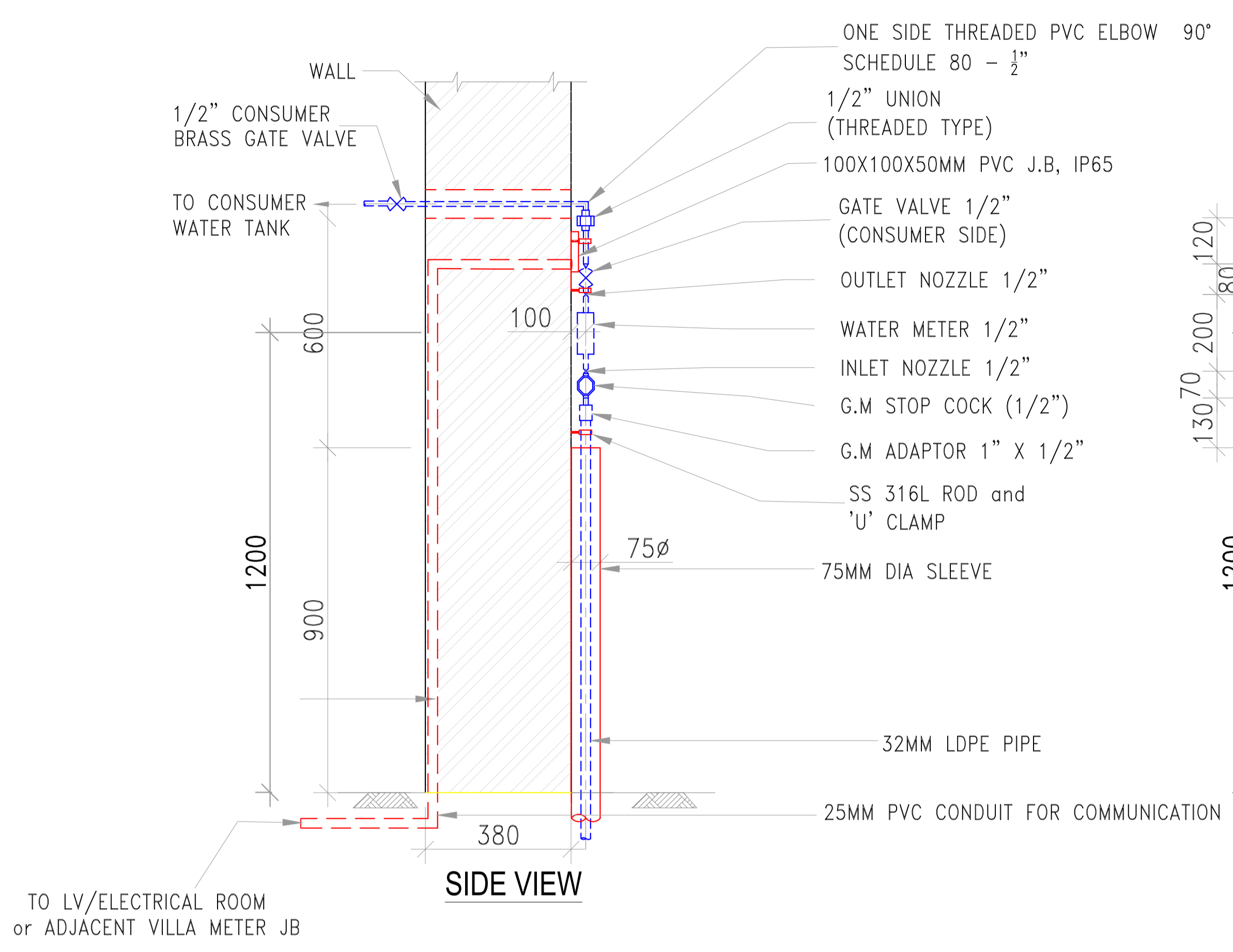
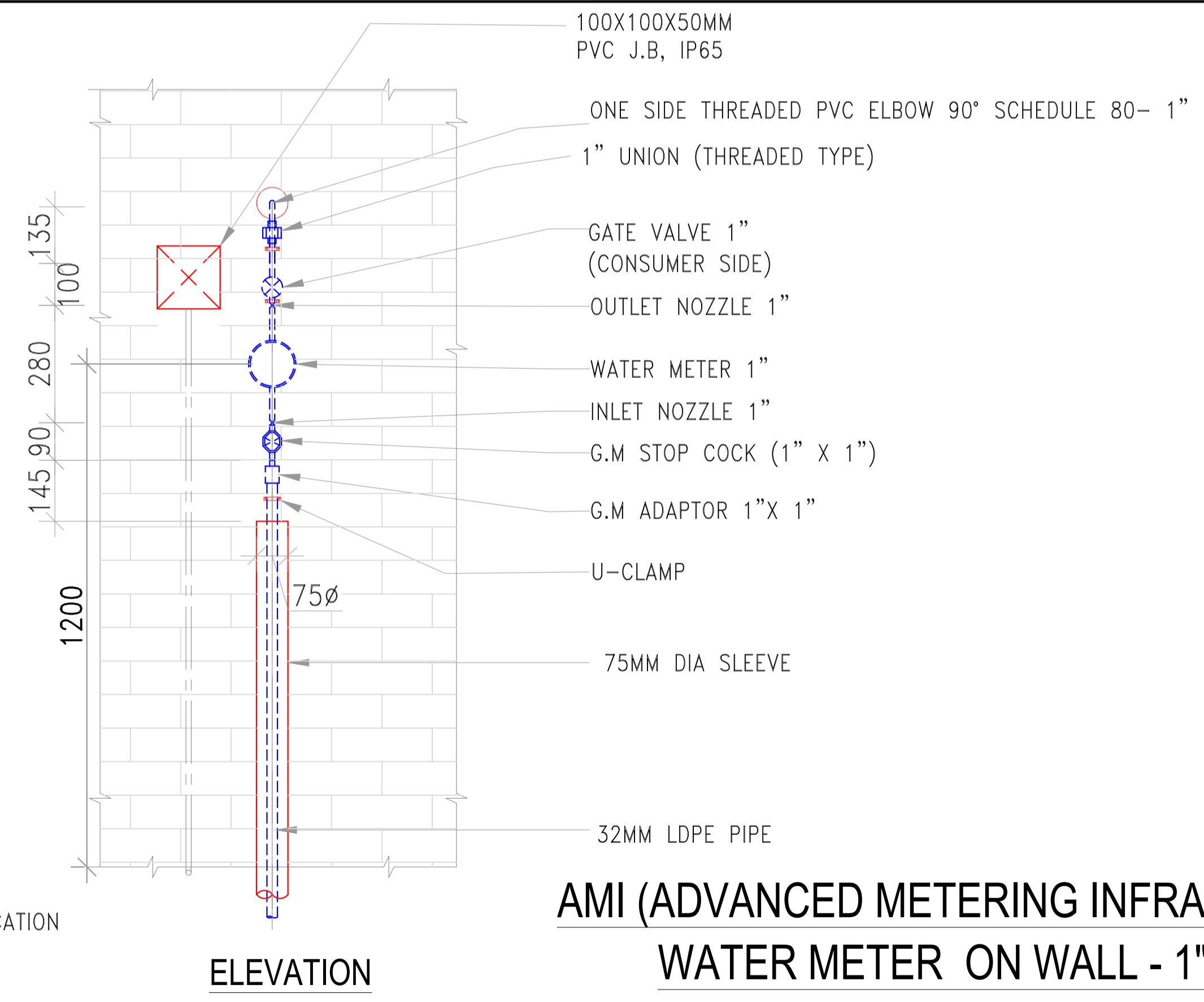
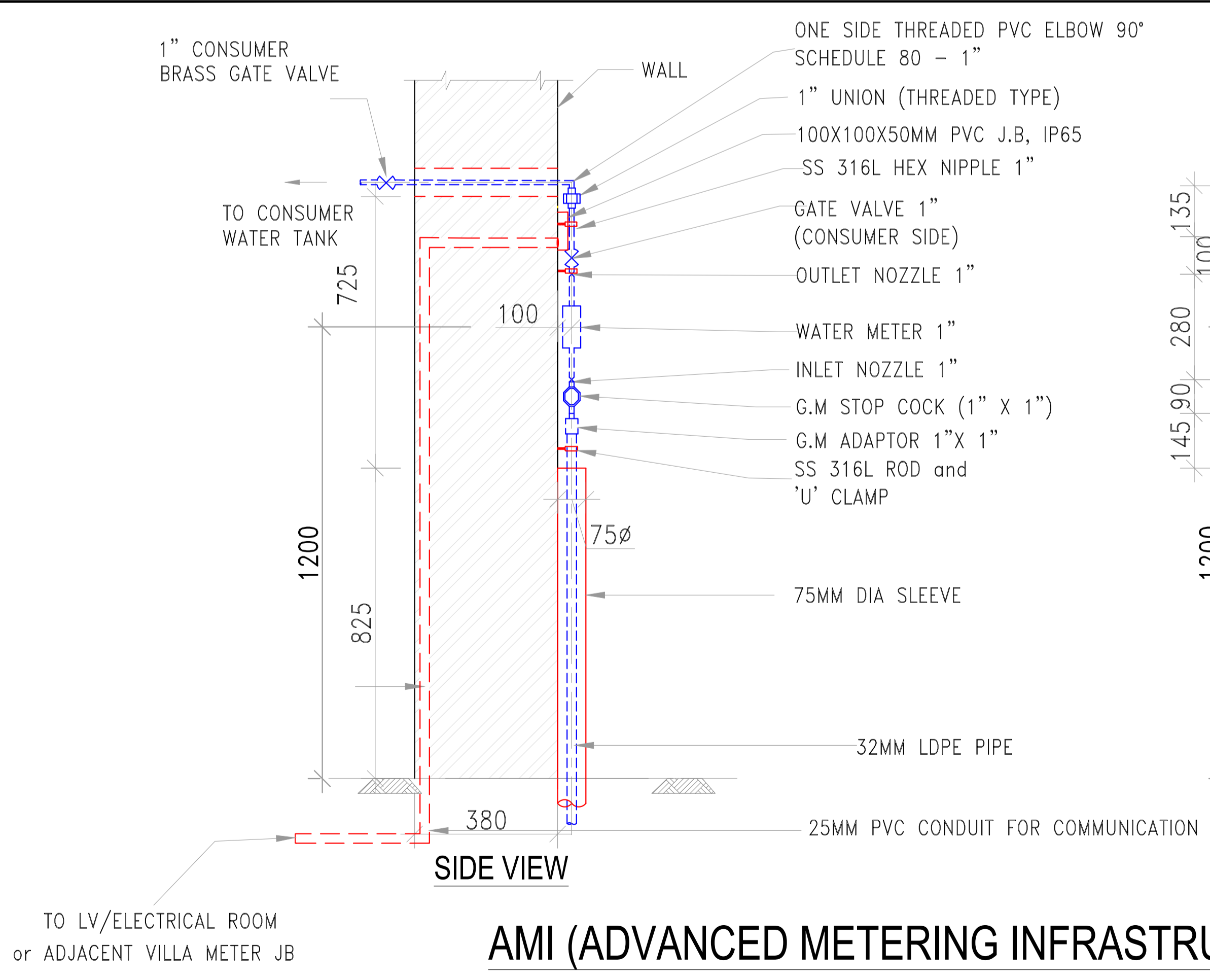


NOTES:
Refer Domestic Meter Installation in Villas and Sheds -Guidelines-Rev4- 20.01.2023




**AMI (ADVANCED METERING INFRASTRUCTURE)
 WATER METER ON WALL -1/2" METER**



**AMI (ADVANCED METERING INFRASTRUCTURE)
 WATER METER ON WALL - 1" METER**

AMI (ADVANCED METERING INFRASTRUCTURE) ON WALL (FOR VILLAS & SHEDS)

Note: All the above requirements should be strictly complied by the Developers /Contractors before submitting the application for new connection.

REV.	DATE	DRN BY	CHD BY	APD BY	DESCRIPTION
AUTHORITY:  GOVERNMENT OF DUBAI P.O.BOX: 564, DUBAI - U.A.E., FAX: 324 4922, TEL: 324 4444					
DEPARTMENT: PROJECTS & ENGINEERING (WATER) TEL : 04-3220003, EMAIL: Branly.N@dewa.gov.ae					
PROJECT: AMI (ADVANCED METERING INFRASTRUCTURE) WATER METER INSTALLATION					
TITLE: AMI - WATER WATER METERS ON WALL (FOR VILLAS & SHEDS)					CAD REFERENCE
PREPARED BY: <i>Shafique</i>			CHECKED BY: <i>Faeed</i>		SCALE: N.T.S
DESIGNED BY: <i>Fuelkin</i>		APPROVED BY: <i>Branly</i>		DATE: 20.01.2023	
DRAWING NO: PEW-STD-AMI-001					REV: 4