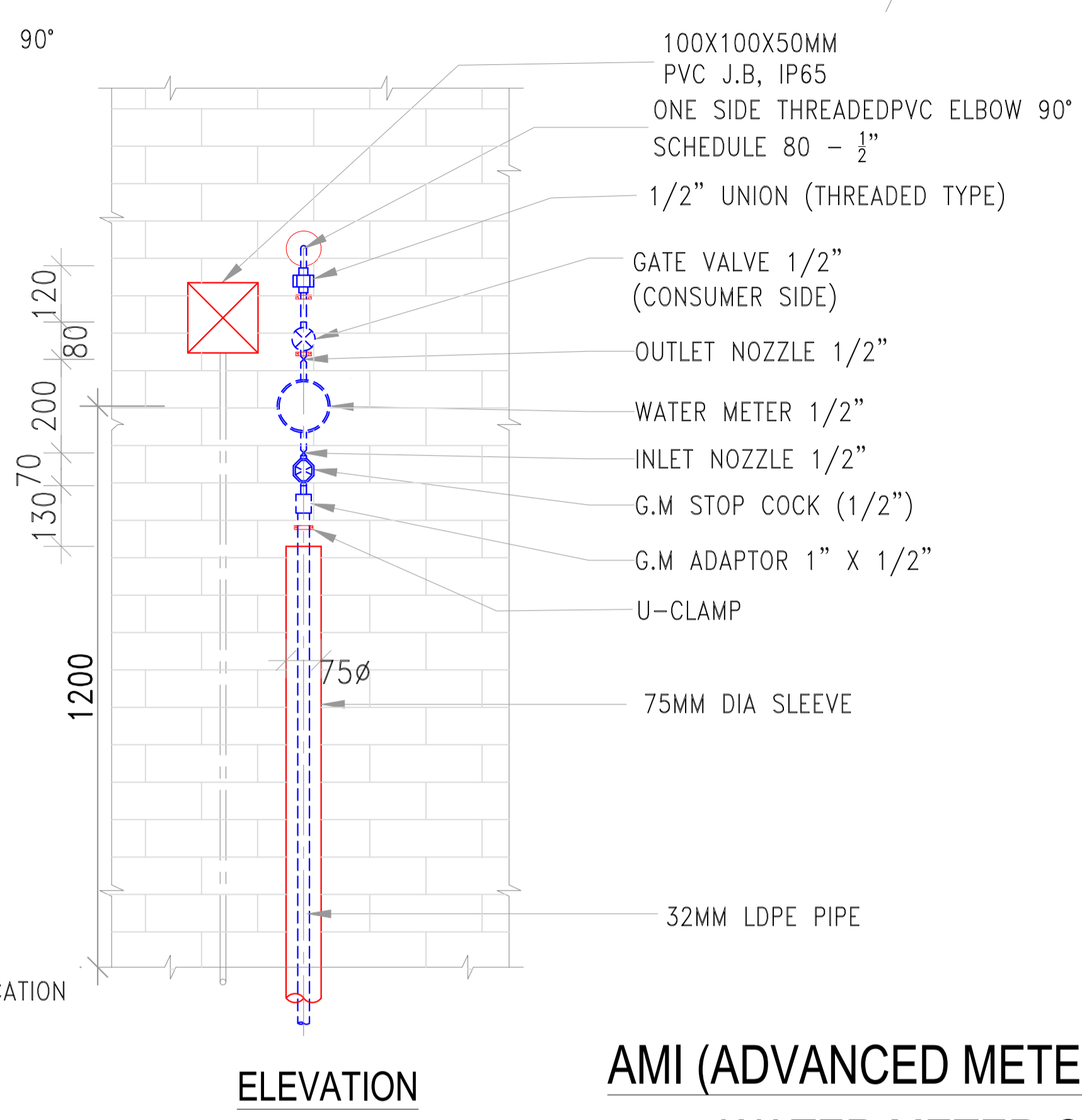
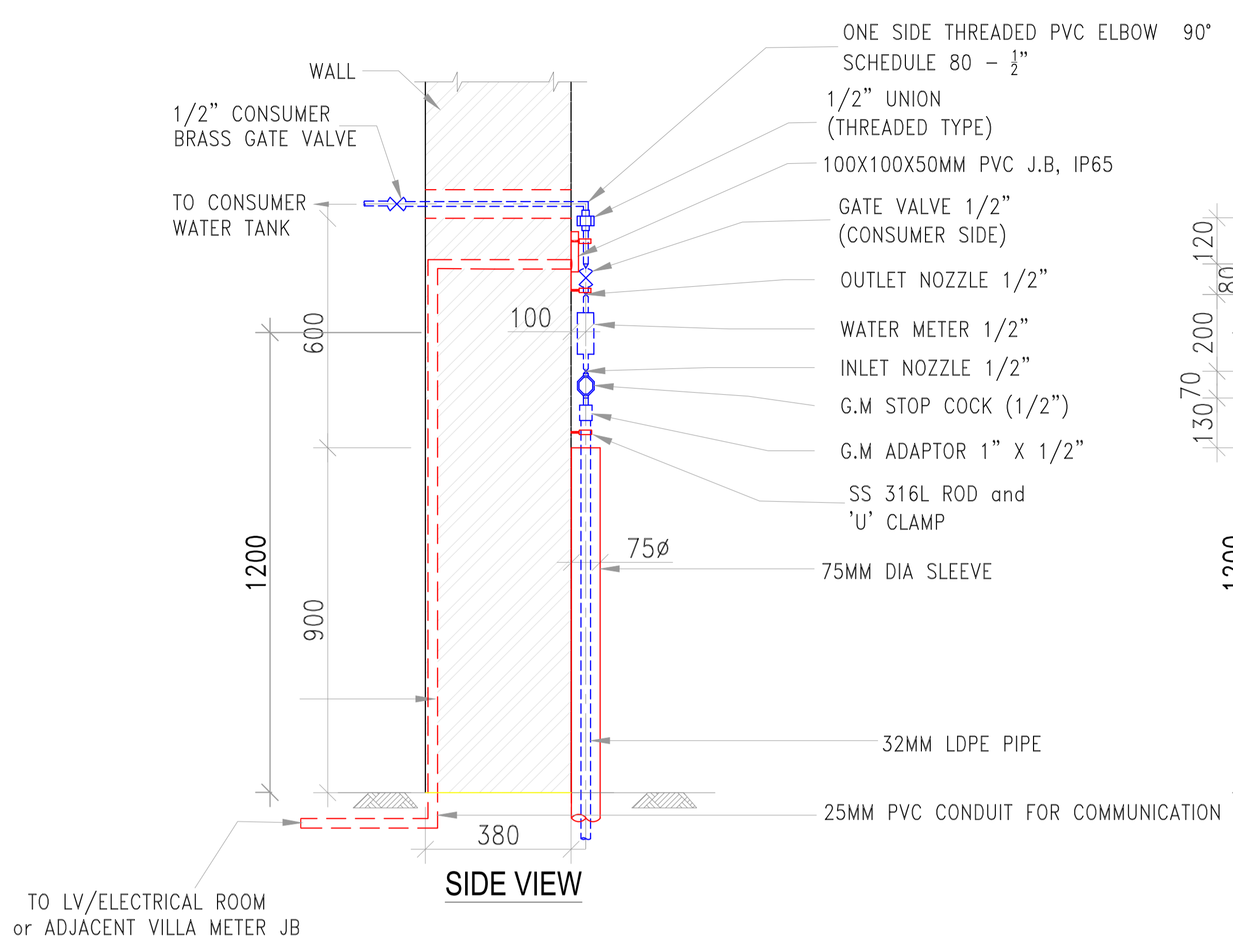
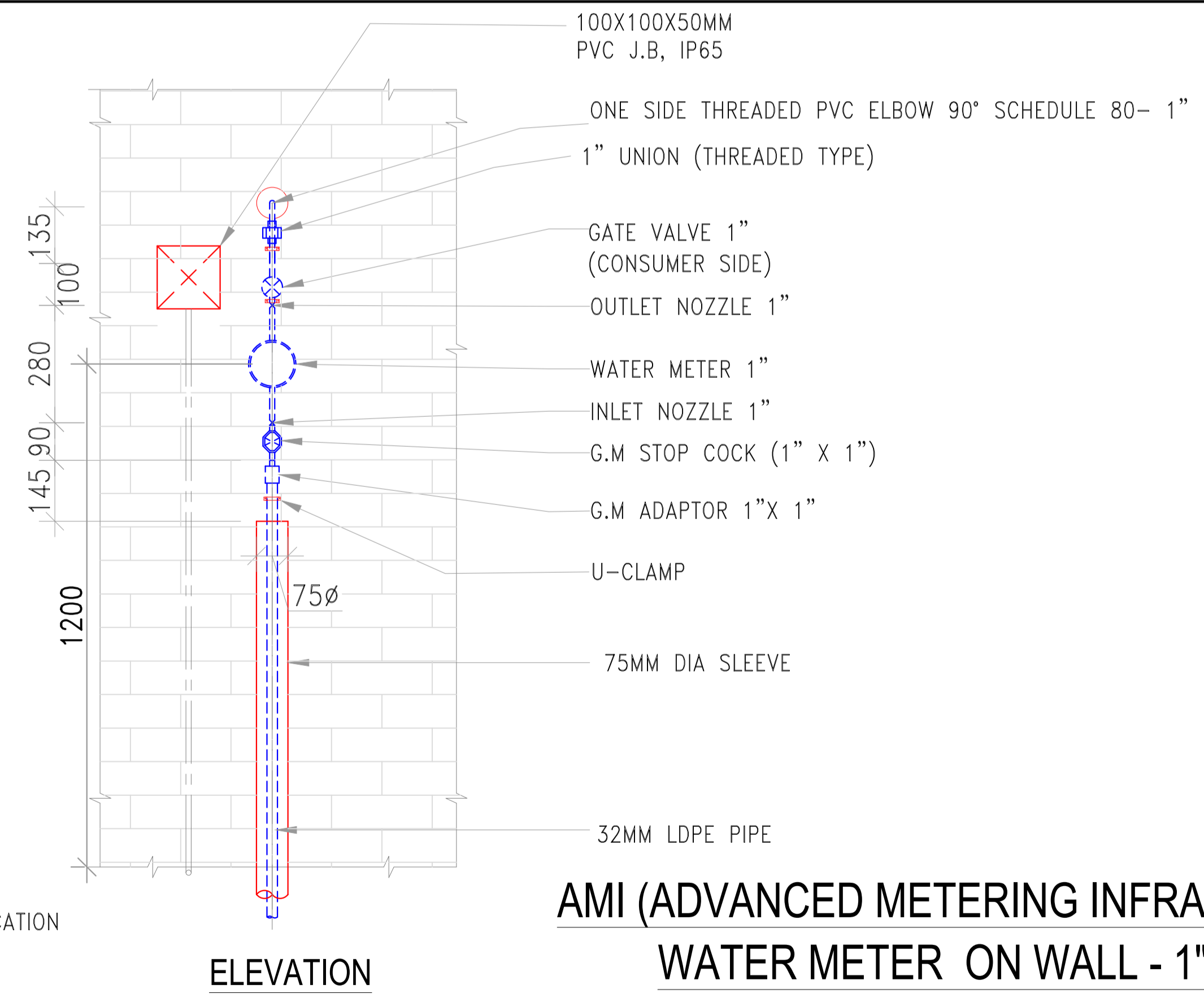
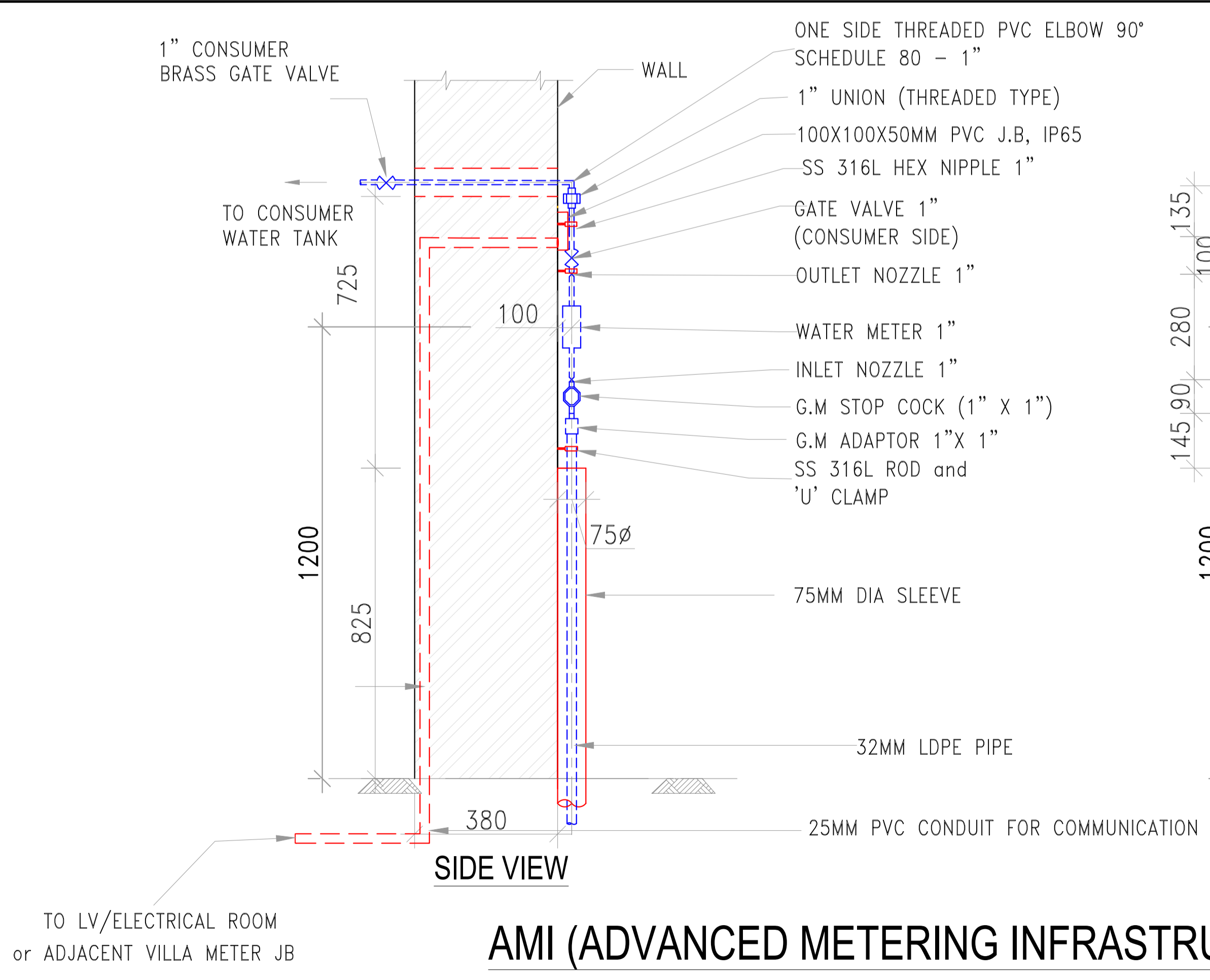


NOTES:
Refer Domestic Meter Installation in Villas and Sheds -Guidelines-Rev3-01.03.2022




**AMI (ADVANCED METERING INFRASTRUCTURE)
 WATER METER ON WALL -1/2" METER**



**AMI (ADVANCED METERING INFRASTRUCTURE)
 WATER METER ON WALL - 1" METER**

AMI (ADVANCED METERING INFRASTRUCTURE) ON WALL (FOR VILLAS & SHEDS)

Note: All the above requirements should be strictly complied by the Developers /Contractors before submitting the application for new connection.

REV.	DATE	DRN BY	CHD BY	APD BY	DESCRIPTION
AUTHORITY:					
 دولة الإمارات العربية المتحدة دبي كهرباء و مياه دبي DUBAI ELECTRICITY & WATER AUTHORITY <small>GOVERNMENT OF DUBAI P.O.BOX: 564, DUBAI - U.A.E., FAX: 324 4922, TEL: 324 4444</small>					
DEPARTMENT:					
PROJECTS & ENGINEERING (WATER)					
<small>TEL : 04-3220003, EMAIL: Branly.N@dewa.gov.ae</small>					
PROJECT:					
AMI (ADVANCED METERING INFRASTRUCTURE) WATER METER INSTALLATION					
TITLE:					
AMI - WATER WATER METERS ON WALL (FOR VILLAS & SHEDS)					CAD REFERENCE
PREPARED BY: <i>Shafique</i>			CHECKED BY: <i>A. Bin Sugal</i>		SCALE: N.T.S
DESIGNED BY: <i>Fudhin</i>		APPROVED BY: <i>Branly</i>		DATE: 27.04.2022	
DRAWING NO: PEW-STD-AMI-001					REV 3